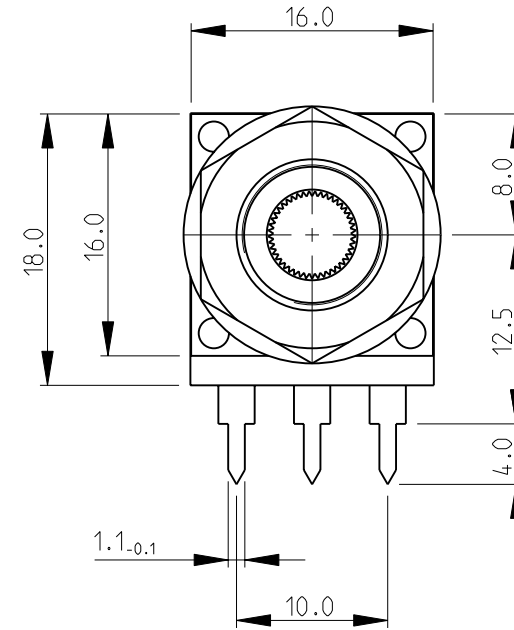
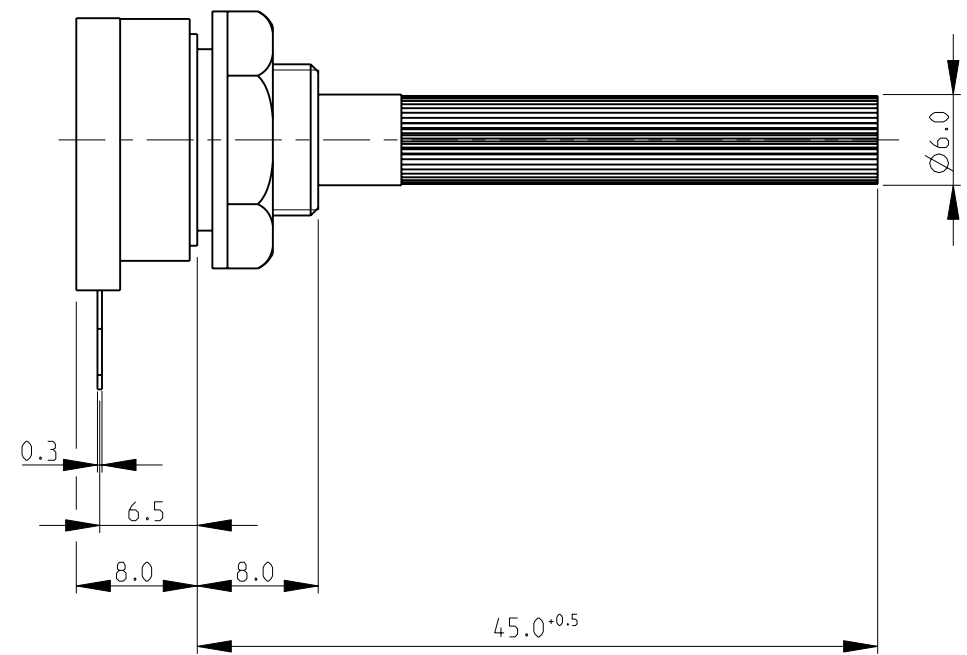


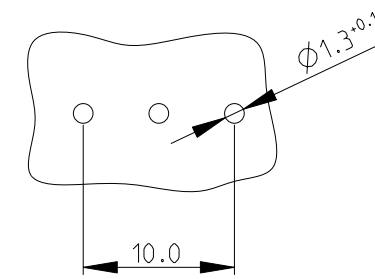
THIS DRAWING IS UNPUBLISHED. RELEASED FOR PUBLICATION 2008  
 © COPYRIGHT 2008 BY - ALL RIGHTS RESERVED.

LOC		DIST		REVISIONS			
P	LTR	DESCRIPTION	DATE	DWN	APVD		
BA1		REVISED PER ECO-11-005150	28MAR2011	RK	HMR		

SERIES CP16SH10IP06\*

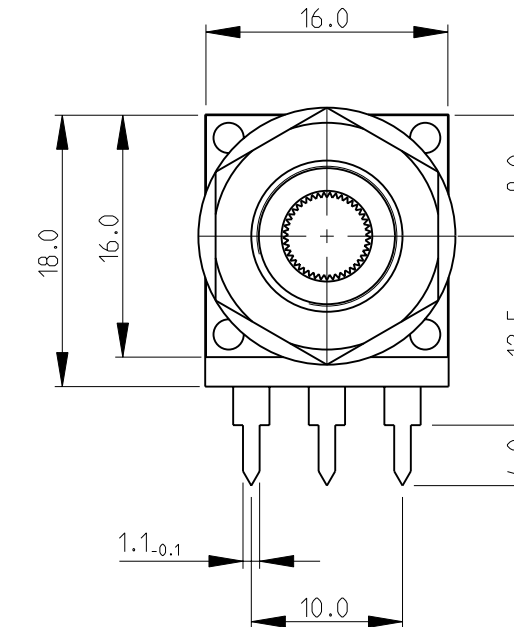
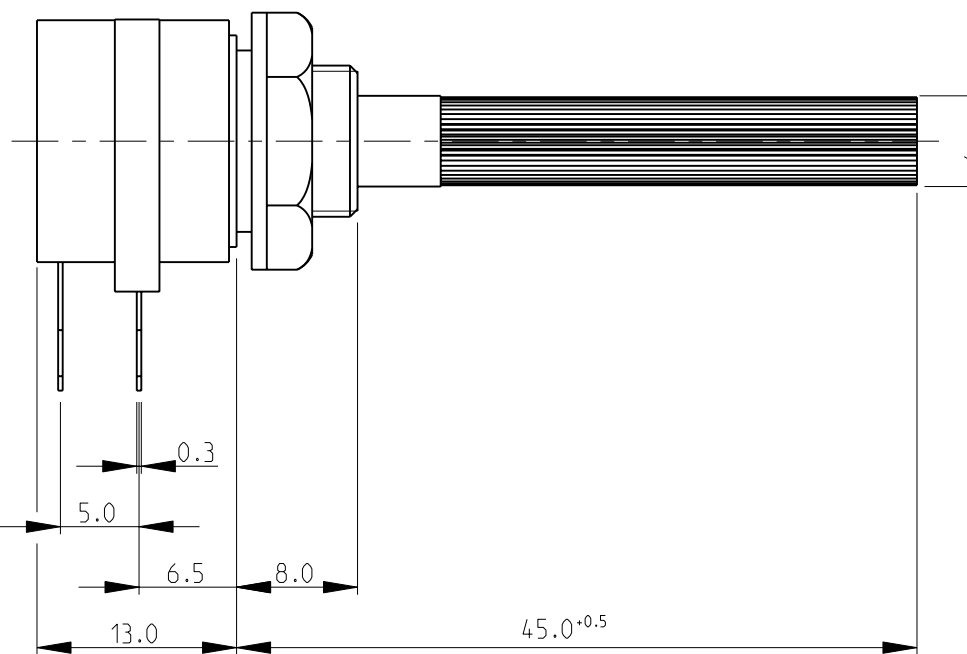


PCB LAYOUT PLAN

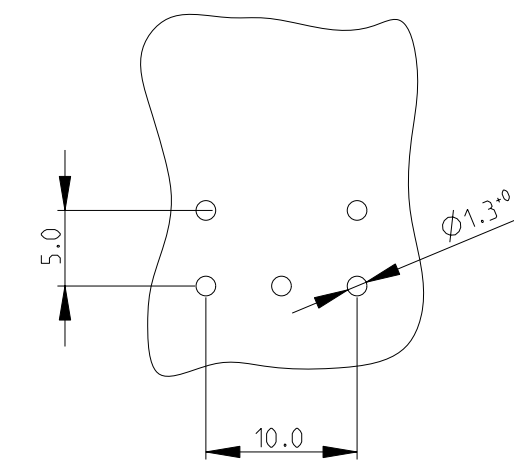


FOR FURTHER INFORMATION SEE DATA SHEET FOR SERIES CP16 - SPINDLE OPERATED POTENTIOMETERS

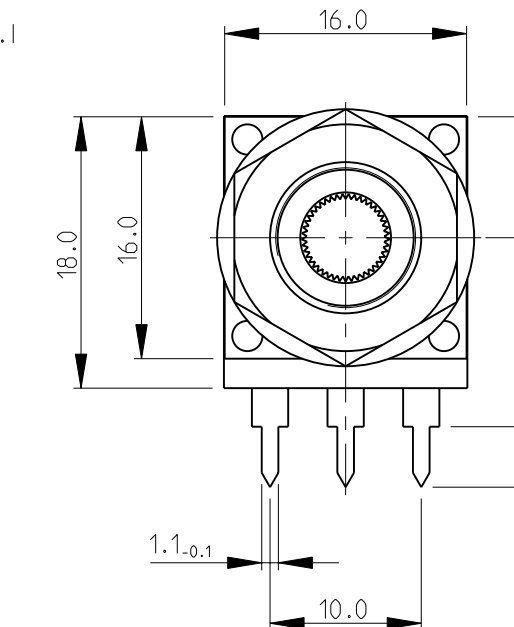
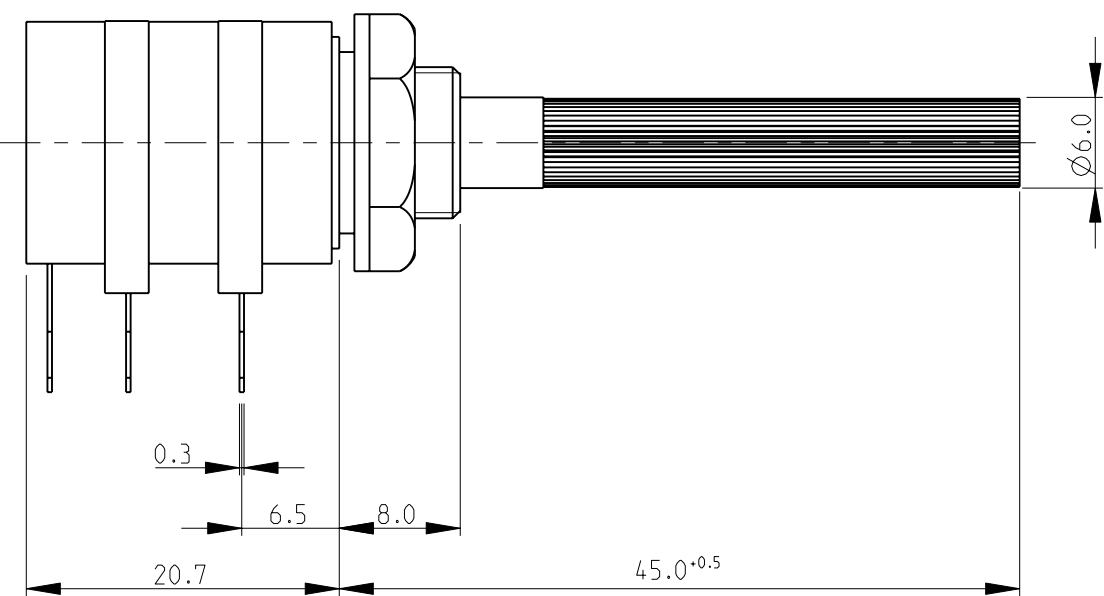
SERIES CP16SH10IP6\*....I



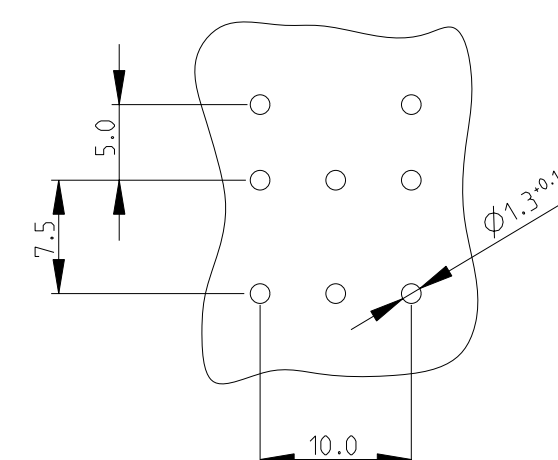
PCB LAYOUT PLAN



SERIES CP16DH10IP06\*....I

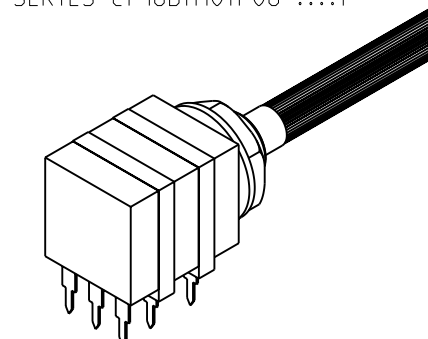


PCB LAYOUT PLAN



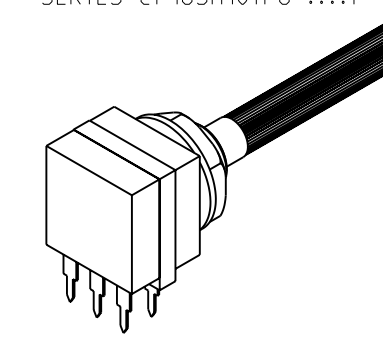
RoHS Compliant

SERIES CP16DH10IP06\*....I



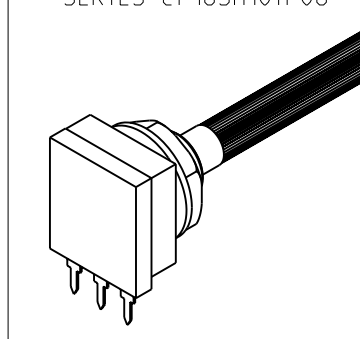
SCALE 1:1

SERIES CP16SH10IP6\*....I



SCALE 1:1

SERIES CP16SH10IP06\*



SCALE 1:1

THIS DRAWING IS A CONTROLLED DOCUMENT.		DWN SUBHASH.M 02-DEC-08	TE Connectivity NAME SPINDLE OPERATED POTENTIOMETER SERIES CP16					
DIMENSIONS: mm		CHK PRAKASH.S 02-DEC-08			SIZE	CAGE CODE	DRAWING NO	RESTRICTED TO
TOLERANCES UNLESS OTHERWISE SPECIFIED:		APVD STEPHEN.P 02-DEC-08			A2	00779	1676003	-
0 PLC ±0.2 1 PLC ±0.1 2 PLC ±0.1 3 PLC ± 4 PLC ± ANGLES ±5° MATERIAL FINISH		PRODUCT SPEC -			SCALE 2:1	SHEET 1 OF 1	REV BA1	
MATERIAL		CUSTOMER DRAWING						